

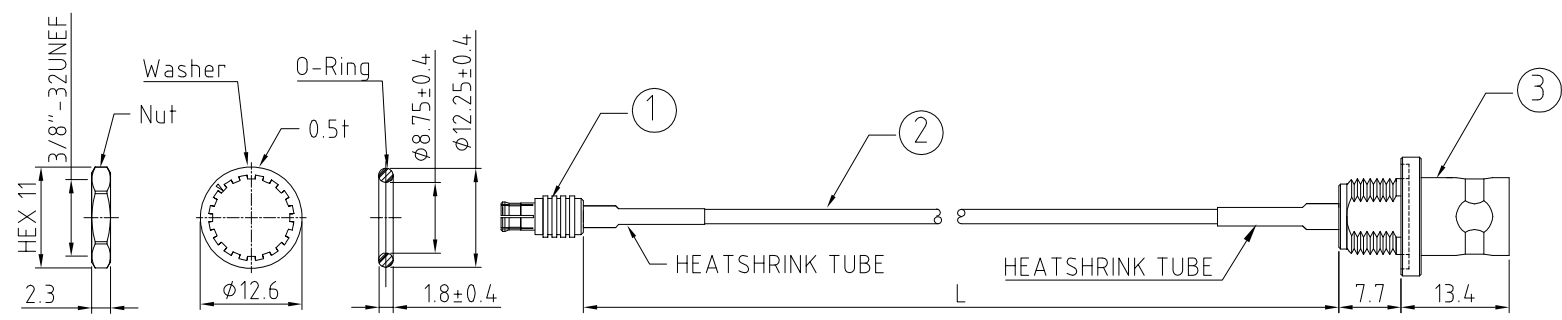
CABLE 150 RF: RF CABLE ASSEMBLY, MCX STRAIGHT PLUG + RG178 CABLE + FRONT MOUNT BNC STRAIGHT BULKHEAD JACK WITH O-RING

SPECIFICATIONS:

1. MCX STRAIGHT PLUG, P/N: RFCT-MCX011-M78.
2. RG178 COAXIAL CABLE, COLOR: BROWN.
3. BNC FRONT MOUNT STRAIGHT BULKHEAD JACK WITH O-RING, P/N: RFCT-BNC002-F78.

NOTES:

1. WORKING FREQUENCY RANG: DC-1GHz.
2. IT IS INTENDED THAT MOUNTING OF THIS CONNECTOR IS ACHIEVED USING THE NUT AND WASHER PROVIDED. PLEASE CONTACT GRADCONN FOR ADVISE IF PLANNING TO USE A DIFFERENT METHOD OF MOUNTING. .



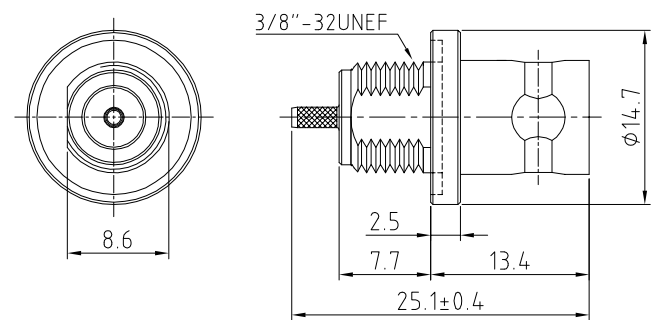
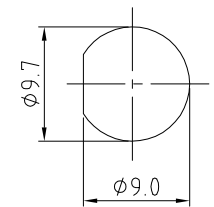
HOW TO ORDER

CABLE 150 RF - X X X X - X - 0

"L" LENGTH IN MM
 eg: 100MM = 0100
 (MIN. = 0050, MAX. = 2000,
 STANDARD = 0100, 0150, 0200)
 Tolerance: <50mm : ±2mm.
 51-200mm: ±5mm.
 201-500mm: ±7mm.
 >500mm: ±10mm.

CABLE SIZE OPTIONS:
 0 = RG178 CABLE, COLOR: BROWN

O-RING, WASHER AND NUT OPTIONS:
 BLANK = SEPARATELY PACKED (STANDARD)
 A = ALL ASSEMBLED WITH CONNECTOR



REV.	DATE & DRN
10	03/07/13 - NYW RELEASE
11	06/07/13 - NYW ADD BNC MOUNTING HOLE
12	07/27/13 - NYW ADD NOTE F
13	12/03/15 - NYW AMEND NUT THICKNESS
14	12/08/20 - NYW UPDATE MCX & BNC P/N'S

Scale: NTS	THIRD ANGLE	Unstated .X .XX .XXX ANGLES	Tolerances: N/A N/A N/A N/A	Material SEE NOTE
Drawn: NYW				
App'd: XXX	Title: CABLE ASSEMBLY			NOT TO SCALE
Date: 12 AUG. '20	Revision: 1.4			Unit: mm

www.gradconn.com

THIS DRAWING IS CONFIDENTIAL AND MUST NOT BE COPIED OR DISCLOSED WITHOUT WRITTEN CONSENT

Type: Cable 150 RF	
CABLE 150 RF	
Drawing Number:	
Sheet 1	of 1
Drawing	E and O E